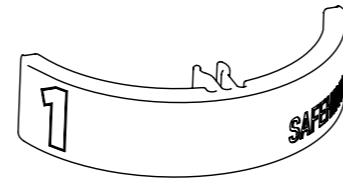


MINI-1925 contains:	Qty
1) ALUmini assembly	1
2) 44 mm spacers	3
3) Screws	14

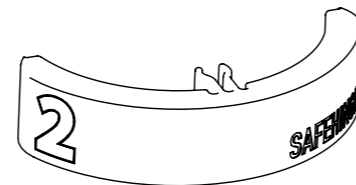
up to 44 mm doors

3x included as standard.



up to 54 mm doors

Not included as standard.
Order "MINI-PK2" for
3x Type-2 spacers

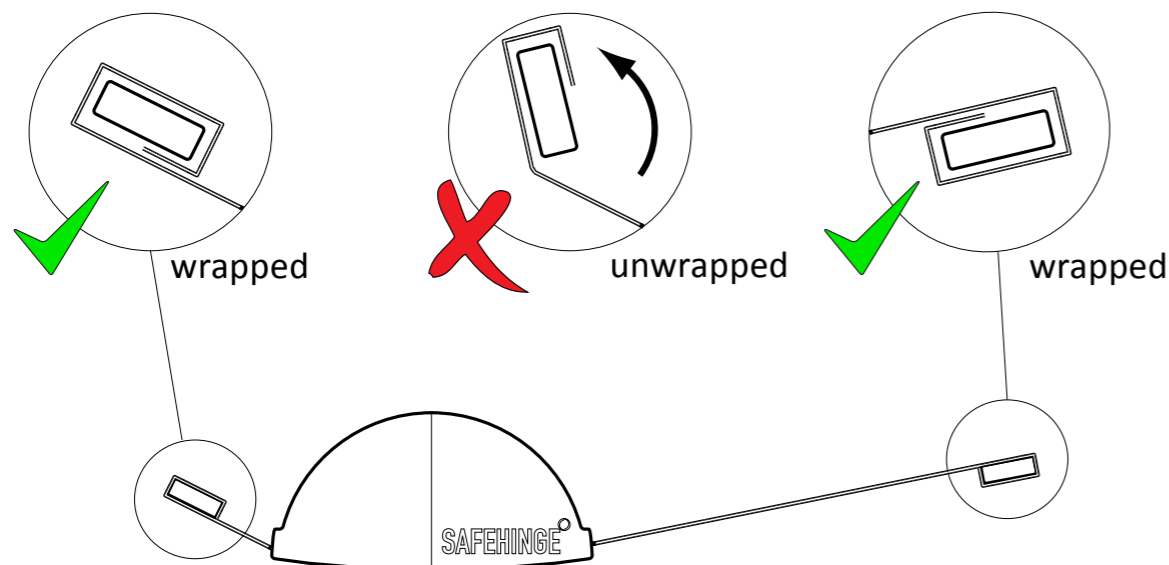


1. Door thickness

IMPORTANT



2. Check fabric

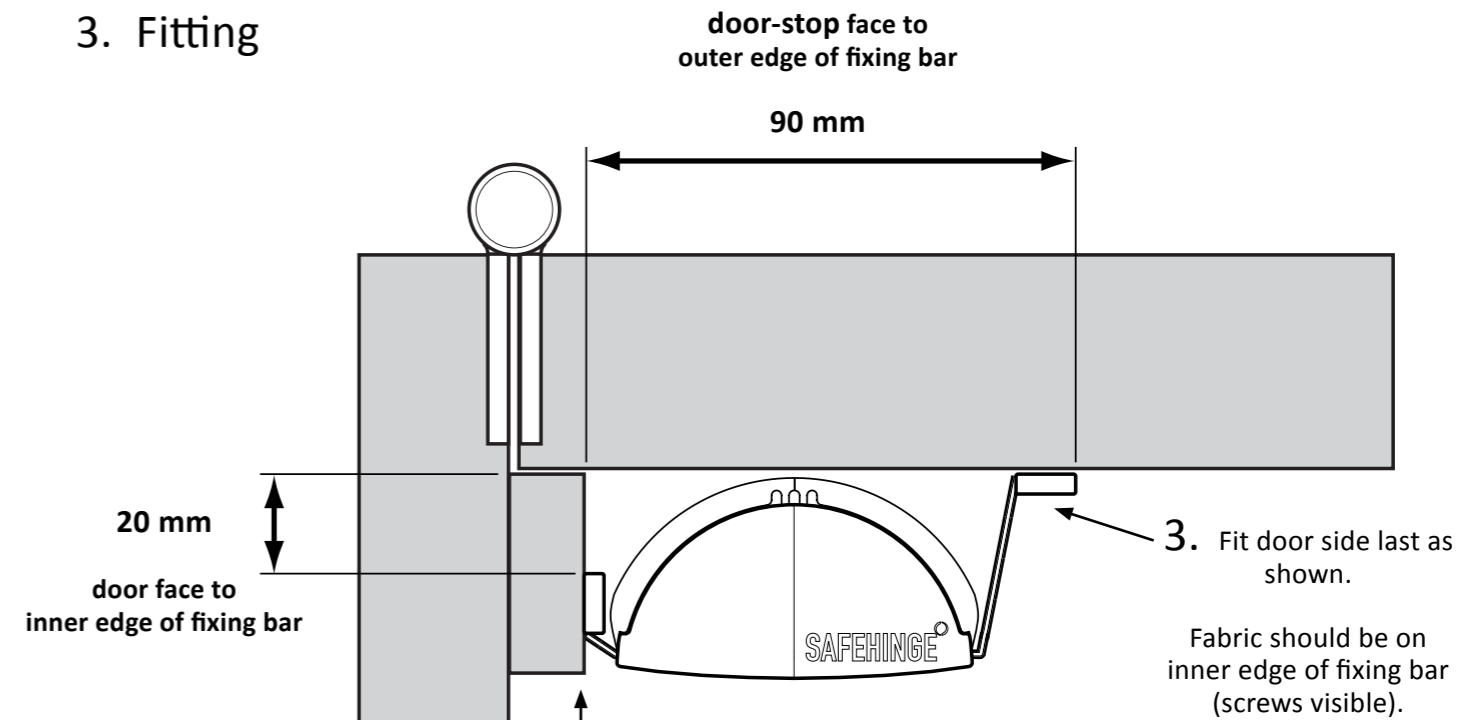


Please ensure bar is wrapped as shown before installation

Safehinge Ltd

T: + 44 (0) 141 244 0085
F: + 44 (0) 560 342 6439
E: info@safehinge.com
W: www.safehinge.com

3. Fitting



1. Fit frame side first as shown.

Fabric should be on outer face (conceals screws).

Floor clearance as below.

2. Check plastic sliders are not at same height as dome head screws (see photos above)

