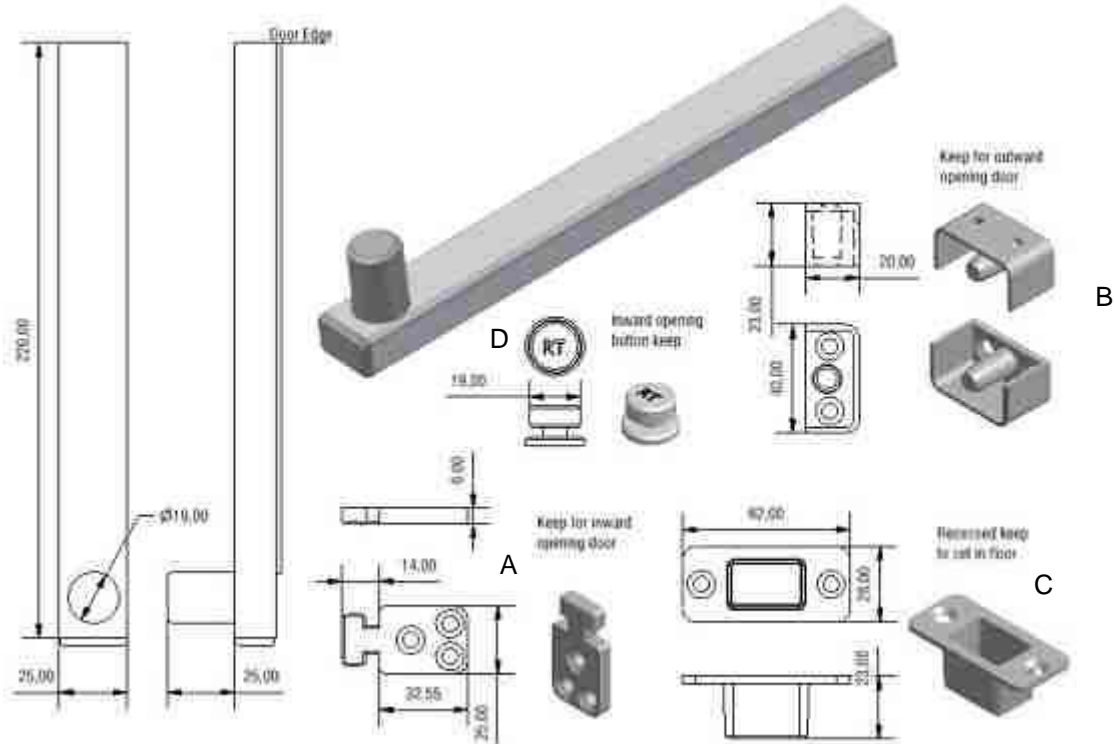


## Royde & Tucker B151 Barza bolt range



### Stock order references

B151-200-200	Barza surface mounted door bolt mild steel (powder coated) silver
B151-300-120	Barza surface mounted door bolt 120mm long ss or ps
B151-300-120L	Barza surface mounted door bolt 120mm long ss or ps - locking
B151-300-220	Barza surface mounted door bolt 220mm long ss or ps
B151-300-220L	Barza surface mounted door bolt 220mm long ss or ps - locking
B151-300-320	Barza surface mounted door bolt 320mm long ss or ps
B151-300-320L	Barza surface mounted door bolt 320mm long ss or ps - locking
B151-501	Keep type A – top mounting door opening inward (flat plate)
B151-502	Keep type B – top mounting door opening outward
B151-503	Keep type C – bottom mounting floor plate
B151-504	Keep type D – top mounting door opening outward – round button type

When ordering Barza bolts please specify what type of keep is required

- Mild steel (powder coated) or grade 304 stainless steel
- High security for internal or external doors
- Tamper and abuse resistant
- Concealed fixings
- Provides easy and reliable exit where required by fire regulations

### Royde & Tucker Ltd

Bilton Road  
Cadwell lane  
Hitchin  
SG4 0SB

Tel:01462 444444

Fax:01462 444433

www.ratman.co.uk

e-mail: sales@ratman.co.uk

### FITTING INSTRUCTIONS

- 1) Hold the laminated base in the required position on the door as shown in the diagram, ie flush with top edge of door (or up to max 5mm below top edge of door) Mark position of the screw holes.
- 2) Drill 3mm  $\varnothing$  holes in positions marked in the door face and fix using No 10 x 1 1/4 " screws provided.
- 3) Place the shoot on the base ensure it operates smoothly and is in the desired position.
- 4) Remove shoot from base and screw M4 Socket screw ( provided ) into position using the Allen Key provided.
- 5) Before replacing shoot on base, grease grooves, then slide shoot home so that the internal leaf spring snaps over the M4 socket head.

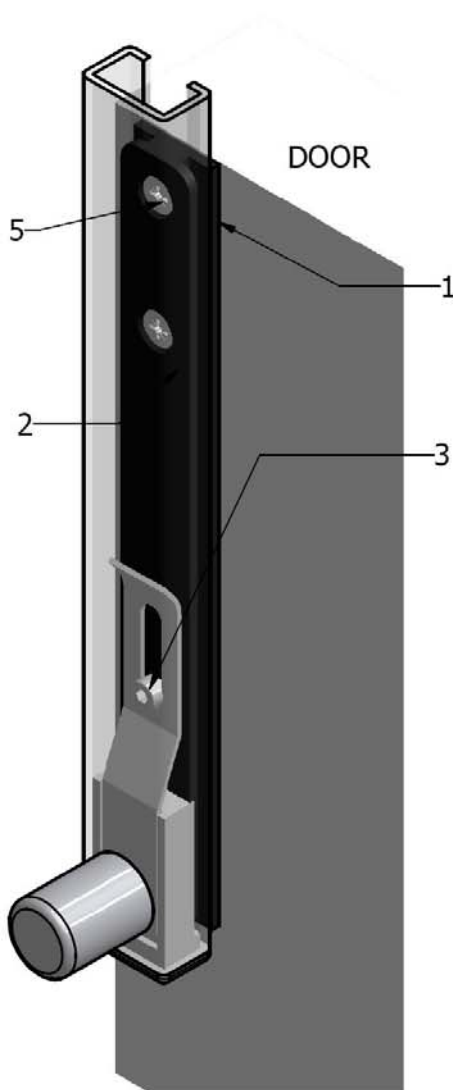
### IMPORTANT

Once the shoot is replaced on the base it can only be removed by lifting the spring clear of the socket screw and sliding the shoot off. **NB.** This may involve removal of the door if there is insufficient space between the bolt and adjacent surfaces to insert a removal tool.

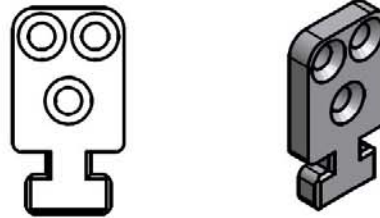
### MAINTENANCE INFORMATION

Grease grooves in base prior to final fitting. Clean with a soft damp cloth or duster, do not use chemical or abrasive cleaners.

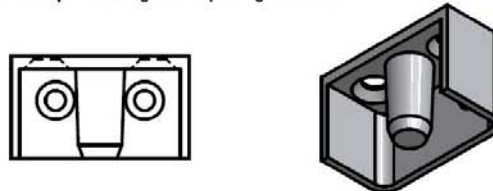
### KEEP OPTIONS



TYPE A -top mounting door opening inward (flat plate)



TYPE B- top mounting door opening outward



TYPE C -bottom mounting floor plate



TYPE D -top mounting door opening inward (round button type)



### PARTS LIST

- 1) BASE
- 2) SHOOT
- 3) M4X6 SOCKET SCREW
- 4) ALLEN KEY (Not shown)
- 5) No 10 x 1 1/4 SCREWS

**Royde & Tucker Ltd**

Bilton Road  
Cadwell lane  
Hitchin  
SG4 0SB

Tel: 01462 444444

Fax: 01462 444433

www.ratman.co.uk

e-mail: sales@ratman.co.uk